



Polyline Knife Gate Valves

MANUFACTURED IN SOUTH AFRICA

# SGV POLYLINE RANGE KNIFE GATE VALVE

## APPLICATIONS

- Hard Rock Mining.
- Coal.
- Soda Ash.
- Mineral Sand.
- Kaolin.
- Phosphate.
- Pulp & Paper.
- Alumina.
- General Industrial.
- General Chemical.
- Power Utilities.
- Sand & Gravel.

## OPTIONAL EXTRA'S

- Dust Covers** : PVC Bellows and Spindle cover.
- Instrumentation** : Proximity Switches – Pneumatic Solenoid Valves.

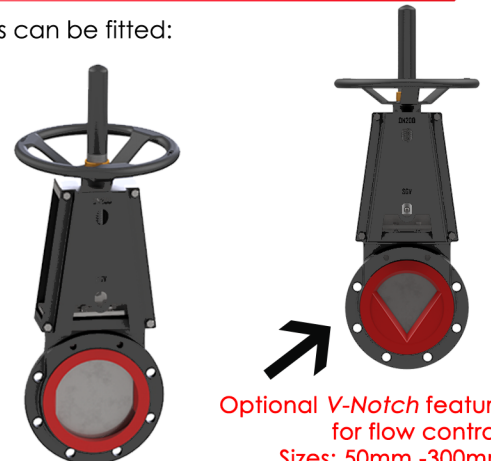
## PRODUCT SPECIFICATION

- Body** : Gr. 220 Cast Iron, Gr. 10 (SABS).
- Blade** : 304/316/ SAF 2205 Stainless Steel.
- Gland Plate** : Precision laser cut Mild Steel. Gland Packing Type 2733.
- Drilling Patterns** : DN50 to DN600 drilled and tapped BS, ANSI, SABS, BS10 Table 1. *\* other options available upon request.*
- Spindle** : 304 Stainless Steel.
- Lining** : Polyline-Urethane.
- Top Works** : Mild Steel - Angle Iron or A-Frames.
- Bushing Nut** : LG2 Bronze.
- Hand-wheel** : SG Iron.
- Operating Pressure** : **SS 316 Gate:** DN 50-400 10 bar, DN 450-600 6.2 bar. **Duplex 2205 Gate:** DN 50-450 16 bar, DN 500-600 10 bar. DN 750 6 bar.
- Color** : To client specification.
- Branding** : Optional.

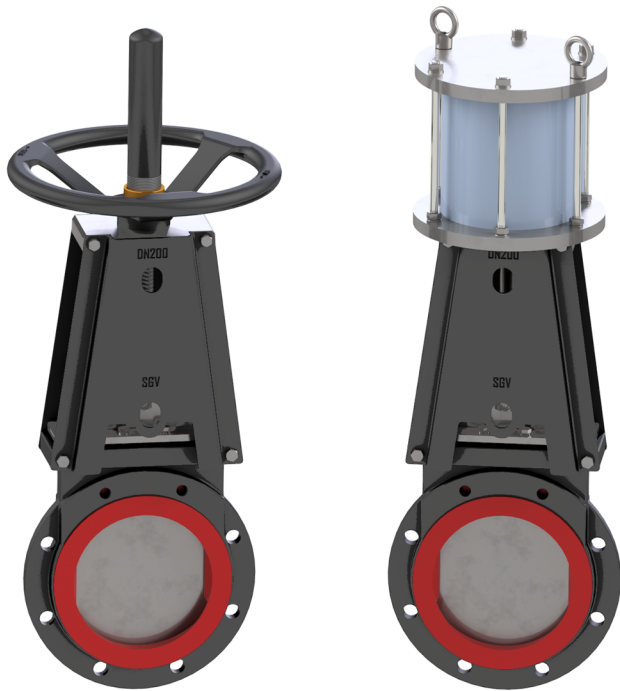
## ACTUATORS

All types of actuators can be fitted:

- Electric.
- Gear Box.
- Hydraulic.
- Pneumatic.
- Hand Wheel.
- Chain Wheel.



Optional V-Notch feature for flow control. Sizes: 50mm -300mm



Unique single-piece body construction allows for full high-performance Polyline-Urethane wear-resistant lining, greatly extending the life of the valve.

## FEATURES

- Our high-performance Polyurethane is ideal for short-term and long-term wet and dry applications requiring excellent abrasion and hydrolysis-resistance with high-standard dynamic properties.
- One-piece body design means there are no leaks during valve cycling.
- The smooth Polyline-Urethane lined body is free from cavities, preventing slurry build-up or blockages, while also reducing head-loss and turbulence.
- Flow-through, built-in deflector wear cone.
- Robust design and heavy-duty construction ensures long valve life and greater reliability.
- Bronze bushing nut ensures low friction operation.
- Wafer-style design saves pipeline space.
- Optional spindle protection tube and blade protection covers (*side plates*), ensure a safe operating environment for the valve, even during automated valve cycling.
- Light-weight for easier handling.
- Unidirectional flow.
- Leak Test and Pressure Test according to ISO 9001:2015 standard.

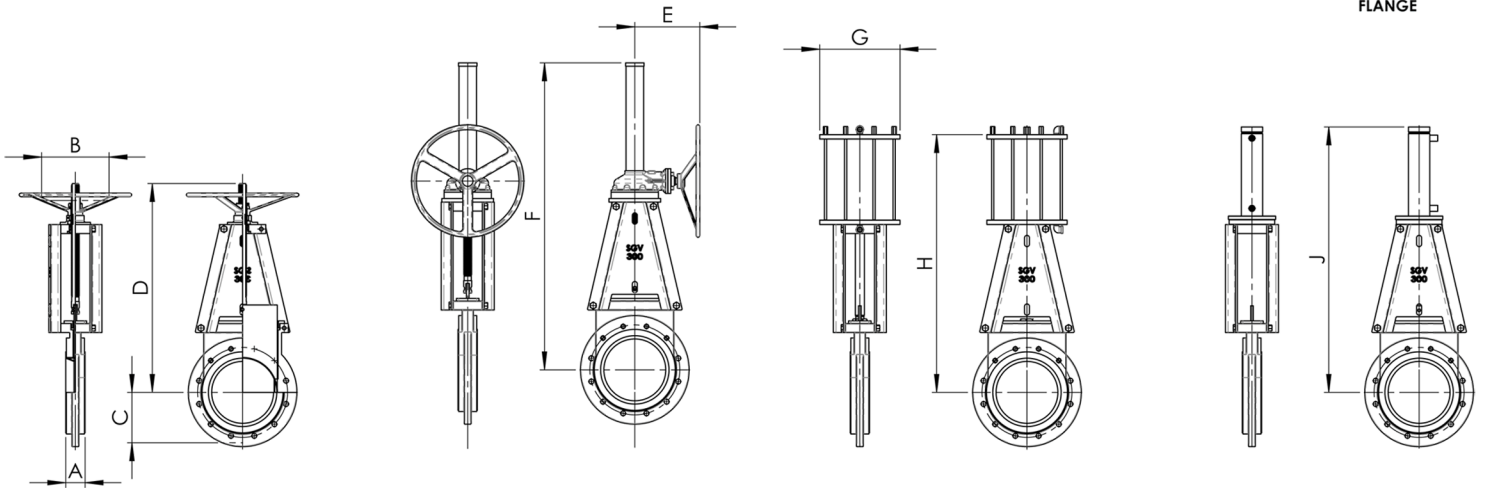
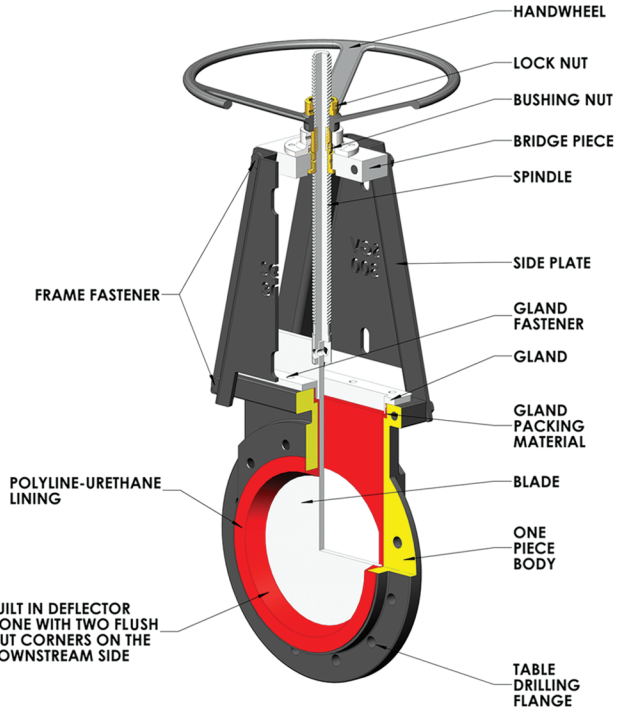
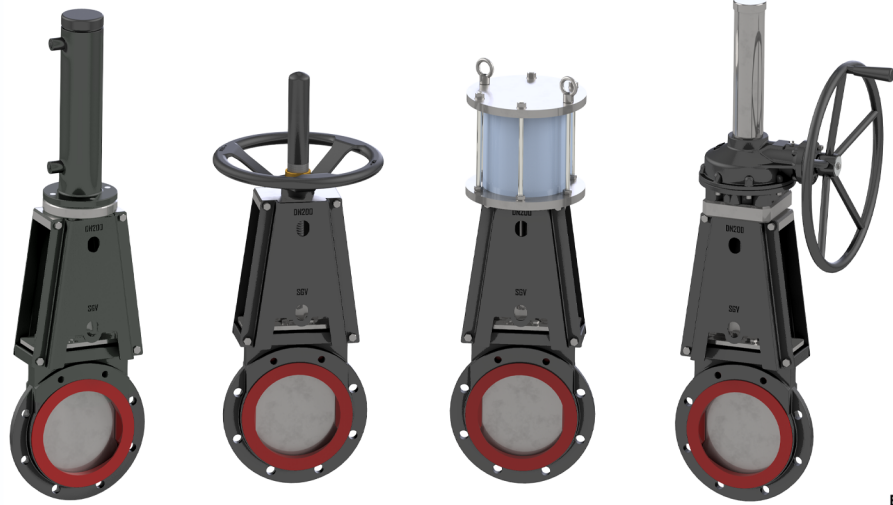


Polyline Knife Gate Valves

LETABABA  
P U M P S

OFFICIAL AGENT FOR FLUID POWER

MANUFACTURED IN SOUTH AFRICA



Valve Size (DN)	2" 50mm	2.5" 65mm	3" 80mm	4" 100mm	5" 125mm	6" 150mm	8" 200mm	10" 250mm	12" 300mm	14" 350mm	16" 400mm	18" 450mm	20" 500mm	24" 600mm	26" 650mm	28" 700mm	30" 750mm	35" 900mm
A	48	40	51	51	57	57	70	70	76	76	89	89	114	114	-	117	161	-
A1	46	46	56	56	56	66	66	76	86	86	96	108	116	126	-	-	-	-
B	225	225	225	225	225	300	300	400	400	500	500	500	500	600	-	-	-	-
C	76	92.5	90	114.5	125	142.5	171	203	241	275	298	323	358	416	-	-	482	-
D	345	358.5	396	510	494	572	791	934	1094	1224	1009	1720	1720.5	2200	-	-	-	-
E	-	-	-	-	-	-	170	203	241.5	266.5	298.5	250	349.5	228	-	-	-	-
F	-	-	-	-	-	-	832	992	1132	1500	1423	1680	1803	2084	-	-	-	-
G	100	-	160	160	160	160	200	250	300	300	350	350	400	400	-	-	670	-
H	400	-	480	575	660	710	870	1030	1250	1320	1405	1605	1750	1895	-	-	2785	-
J	477	-	558	610	-	743	879	1055	1207	1290	1421	1666	1870	2040	-	-	-	-

11 Avalon Road, West LakeView,  
Ext 11 Modderfontein,  
Johannesburg, 1645.



Tel: +27 11 923 7000  
Email: sales@letabapumps.co.za  
Website: www.letabapumps.co.za